



## Outline

### *See the difference multi-megapixel resolution makes!*

Lumenera's Le375 series of megapixel cameras are designed for general and high-end security applications.

Streaming full 2048x1536 resolution at 10 fps, these cameras deliver outstanding picture quality and performance. Adjustable JPEG and MJPEG compressed still-images or live streaming video, are provided across a standard 10/100BaseT network interface.

Lumenera has simplified IP camera installation with a simple plug-and-play process. Intuitive user interface viewed with most browsers provides standard camera control.

The I/O connector provides an interface to an external alarm sensor or control of peripheral equipment such as; IR lighting, DC iris and PTZ. Alarm notification provides the date, time and camera IP address.

Programmable day/night settings automatically switch to enhanced low-light mode. Optional – True day/night module provides automatic sliding IR cut filter. When integrated with NIR illuminators, provides outstanding nighttime performance.

The user defined motion detection parameters across multiple zones provide more accurate triggering of alarms, while programmable privacy zones ensure compatibility with all regulations.

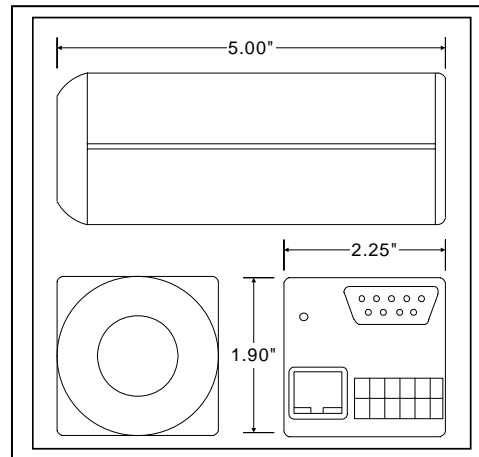
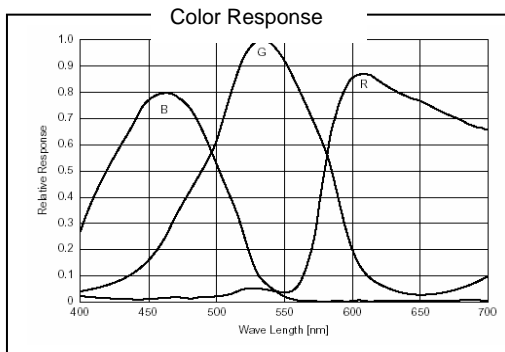
On-board memory buffers supply still images that precede and follow alarm events. Transfer of images via email, FTP, RTP or HTTP.

Model Le375 is very compact, contained in an all-metal housing and can be mounted stand-alone or by means of standard environmental enclosures. Call with your enclosure requirements today.

## Product Features

- Easy installation and set-up
- 1500 lines of resolution, color, progressive scan, 3.1 megapixel sensor
- 10 fps at full 2048x1536 resolution  
30 fps at 1280 x 1024 resolution
- Feature rich camera functions:
  - o Auto White Balance & Auto Exposure
  - o Day/Night Mode
  - o Configurable Compression Ratio
  - o Multiple motion detection zones
- I/O control of alarms, DC iris, PTZ, lighting or other peripherals
- Optional true day/night functionality
- Image transfer via HTTP, FTP, RTP, or Email
- Camera Control via HTTP, XML-RPC, Telnet or Microsoft COM
- Security / Password Protection
- FCC Class B, CE Certified
- CS lens mount provided standard, C-mount adapter available
- Compatible with most Operating Systems (Windows™ 98 SE, Windows ME, Windows 2K, Windows NT and Windows XP, as well as Linux and Mac)
- Full 1 year warranty

Image Sensor	<b>1/2" format, color, 6.55mm x 4.92mm array</b>
Effective Pixels	<b>2048x1536, 3.2µm square pixels</b>
Frame Rate	<b>10 fps at 2048x1536, 33 fps at 1024x768</b>
Dynamic Range	<b>55dB</b>
Sensitivity	<b>1.5 lux at F1.0</b>
Auto Exposure	<b>Automatic / Manual</b>
White Balance	<b>Automatic / Manual</b>
Dimensions (W x H x D)	<b>1.9" x 2.5" x 5.0" (not including lens)</b>
Mass	<b>~400g</b>
Power Requirement	<b>9-24V AC or DC</b>
Power Consumption	<b>2-4Watts</b>
Operating Temperature	<b>-10° C to +50° C (environmental enclosure will provide extended temperatures with fan / heater)</b>
Operating Humidity	<b>5%-95%, Non-condensing</b>
Interface Connector	<b>RJ45 twisted pair cable, 10/100baseT Ethernet</b>
Lens Mount	<b>Adjustable CS-Mount (lens not included)</b>
Image Buffer	<b>48 MB (up to 240 full res images)</b>



### Recommended PC Specifications

O/S: Windows 2000 (SP 3), or XP (SP 1)  
 CPU: 2.8GHz or above Pentium computer (required for full frame rate preview)  
  
 600Mhz or above Pentium compatible computer (for basic functionality)  
  
 Network: 100 Mbps Ethernet LAN  
 Browser: Internet Explorer v6.0

### Ordering Information

- Le375C – 3.1 Megapixel Color Camera
- Le375C-DN – 3.1 Megapixel Color Camera with optional Day/Night module