

Li175MB

1.3 megapixel intelligent network camera



Day/Night

Delivers outstanding megapixel "HD" image clarity and digital zoom in a black and white camera. The Li175MB is the camera of choice for general purpose surveillance at megapixel resolution when low-light response is a greater priority than color imaging. The peak white inversion feature eliminates blooming in the image due to reflected sunlight or bright headlights. For night vision, select our Li175MB-DN day/night cameras, featuring a filter mechanism designed for deployment with active infrared illuminators.

Control bandwidth and storage

The camera provides for both JPEG and H.264. Choose JPEG to provide the best quality images for digital zoom, post-incident analysis, and fast motion. Use H.264 to reduce bandwidth for your wireless deployments and to reduce disk storage requirements.

Compatibility

By maintaining a common Application Programming Interface (API), Lumenera network cameras are supported by your preferred off-the-shelf video management software and custom applications.

Easy to use

- Fully Windows compatible web pages allow you to view or configure cameras at any time and from any location.
- PoE / 24 V AC/DC - Power over Ethernet (PoE) simplifies installation and reduces cabling costs. You may also choose 24 V AC/DC low-voltage installation.
- No-hassle lens mount – Compatible with C or CS-mount lenses.
- Composite video output – NTSC/PAL format analog video loop out lets a lone installer position the camera and focus the lens using daylight readable displays.

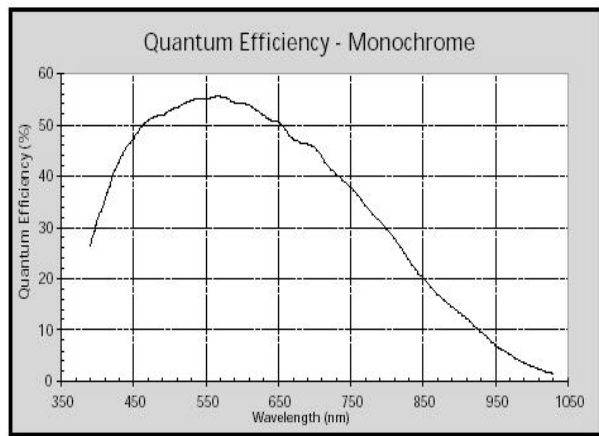
Recommended Applications

- General-purpose surveillance
- Indoor/outdoor surveillance
- Monitoring city centers
- Protection of major public and corporate infrastructure
- MJPEG or H.264 compression
 - o Prisons
 - o Refineries
 - o Power plants, hydroelectric dams
- Higher education, campus security
- Public transportation monitoring

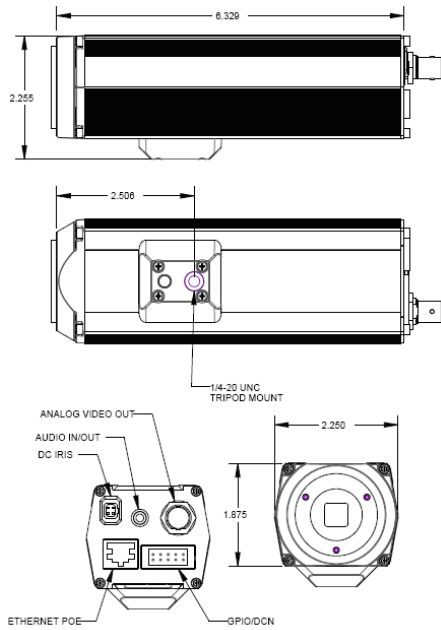
Product Features

- Video analytics for timely response and reduced operator fatigue
- 1.3 megapixel progressive scan CMOS image sensor
- Easy set-up and installation
- True day/night "DN" option
- Peak white inversion – no blooming in images of sun or bright lights
- Configurable compression
 - o 21 fps JPEG (full size 1280 x 1024 pixels)
 - o 15 fps H.264 (1280 x 720)
- User and Admin passwords
- Compatible with Windows and Linux operating systems
- Consistent Lumenera API





Mono response curve



Ordering Information

Li175MB	1.3 megapixel monochrome network camera (special order)
Li175MB-DN	1.3 megapixel monochrome day/night network camera (special order)
OV1, OV2, OV3	ObjectVideo OnBoard analytics options
Lu8501	24 VDC, 1A power supply with international plugs
Lu901	C-to-CS mount adapter
Le903	Replacement 10-terminal power & I/O connector
Le906B	Replacement tripod mount

Image Sensor	
Type	1/2" format, CMOS, monochrome only
Effective pixels	1280 x 1024 (SXGA)
Active area	4.1 x 3.3 mm
Pixel size	5.2 x 5.2 μm
Minimum illumination	0.5 lux at F/1.0
Dynamic Range	55 dB
Shutter type	Rolling
Scan mode	Progressive Scan
Optics	
Lens mount	CS-mount
Iris control	DC auto-iris (direct drive)
Day-Night	"DN" models only. Automatic
Day wavelengths	400 nm to 650 nm
Night wavelengths	400 to 1100 nm
Camera Control	
Frame rate - JPEG	21 fps (1280 x 1024 pixels), 27 fps (640 x 480 pixels)
Frame rate - H.264	15 fps (720 x 480 pixels)
Exposure modes	Auto, Manual
Exposure / shutter speed	< 0.01 to 1200 ms (< 1/100,000 to 1.2 sec.)
Anti-flicker	Off, 60 Hz, 50 Hz
Gain modes	Auto, Manual
White balance	Auto, Manual
Passwords	1 admin, 1 user
Image buffer	128 MB (up to 900 JPEG images)
Analog video output	NTSC or PAL, factory-set
Power	
Power source	External 24 V AC/DC or PoE (IEEE 802.3af)
Power consumption	6 W
Mechanical	
Dimensions (excludes lens & connectors)	1.9 x 2.25 x 6.3 inch 48 x 57 x 160 mm
Mass	300 g
Case material	Aluminum
Mount	1/4 - 20 tripod mount
Environmental	
Operating temperature	-10 to +50 °C
Operating Humidity	5 to 95%, non-condensing
Connectors	
Auto iris	4-conductor DC auto iris
Analog video connector	BNC
Audio connector	Single 3.5 mm stereo jack, 1 input and 1 output
Power and I/O connector	10 locking terminals, accepts 18 to 28 AWG wire
Inputs	1 opto-isolated
Outputs	1 opto-isolated
Serial port	RS-232 (1 Rx & 1 Tx terminal)
Network interface	10/100 BASE TX Fast Ethernet
Interface connector	RJ45 Cat 5e twisted pair cable
Software & networking	
API	Lumenera network camera Application Programming Interface
Compatible software	Multiple third-party/open-platform VMS providers
Supported protocols	HTTP, TCP/IP, RTP/RTSP, FTP (client only), DHCP, DNS, ARP, Zeroconf (Bonjour), ICMP (ping), NTP
Approvals	
FCC compliance	Class B
CE compliance	EN55024, EN55022, EN61000-3-2, EN61000-3-3
Hazardous materials	RoHS compliant
Power supply	UL, FCC, CE
Recommended PC Specifications	
O/S	Windows 7, Windows Vista, Windows XP
CPU	2.8GHz or above Pentium/Core 2
Browser	Internet Explorer v8.0

