

General Description

The evaluation test board has one RMSW100HP™ SPST RF switch connected to two SMA RF connectors, as well as a calibration line. The board requires an external supply to provide the gate actuation voltage.

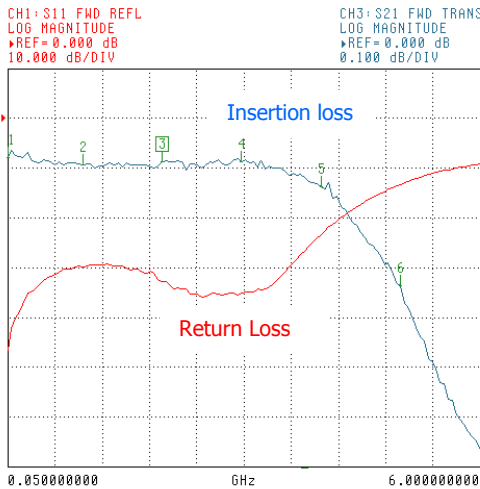
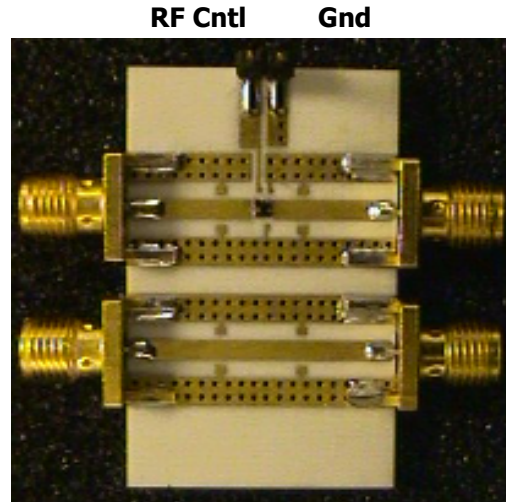
ESD Sensitive

Port In/Out

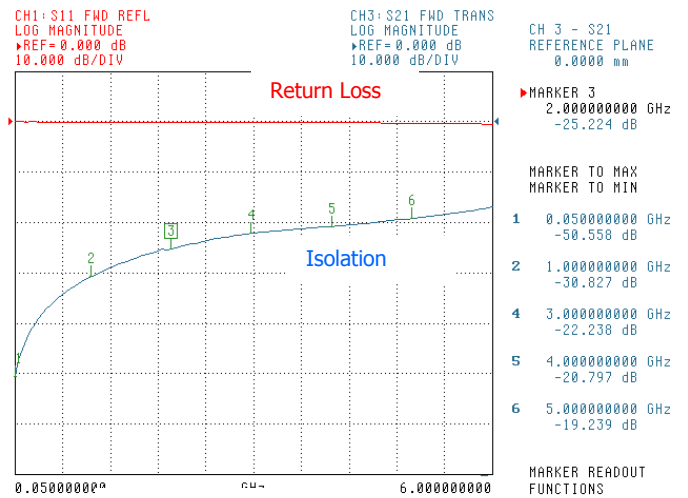
Port In/Out

Calibration
Port In/Out

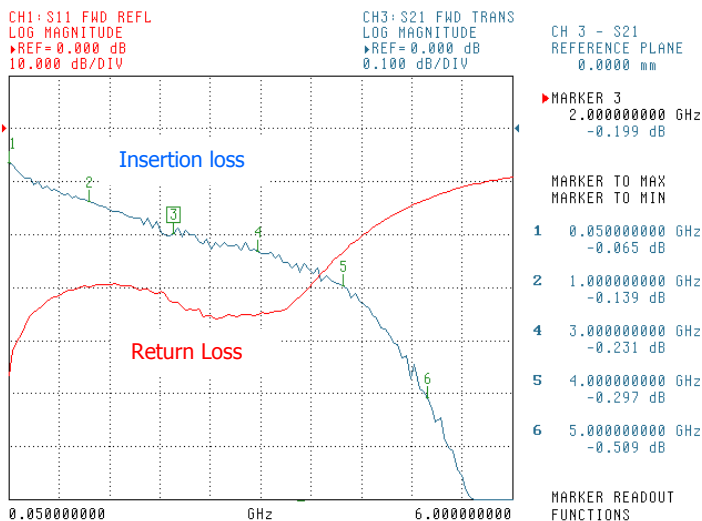
Calibration
Port In/Out



**Switch Insertion Loss
(Test Board minus Calibration Line Loss)**



Switch Isolation



Test Board Insertion Loss

Gate-Gnd Voltage Signal Path State

+/- 90 V	ON
0 V	OFF