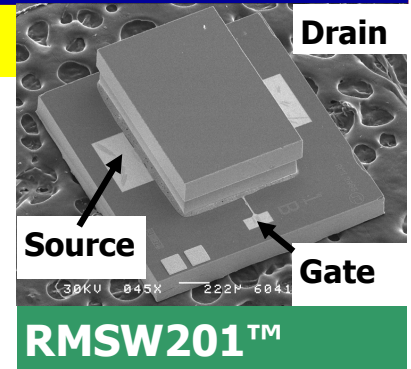




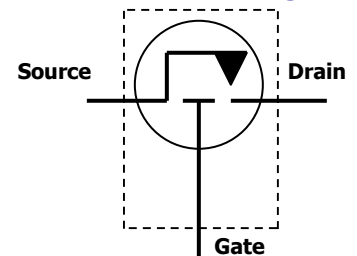
# SPST, High-Isolation, RF-MEMS Switch DC to 20 GHz



## Features

- High Isolation (20 dB typical @ 10 GHz)
- Low Insertion Loss (<0.5 dB typical @ 10 GHz)
- Near Zero Harmonic Distortion
- No Quiescent Power Dissipation
- Long Life (typical lifetime >100 billion cycles @ 27 dBm, >1 billion cycles @ 30 dBm)
- Hermetically sealed die designed for die-attach and wire-bond to board. Please contact us for other packaging options.

## Functional Block Diagram



## Description

The RMSW201™ is a Single Pole Single Throw (SPST) Reflective RF Switch utilizing Radant's break-through MEMS technology that delivers high linearity, high isolation and low insertion loss in a chip-scale package configuration.

This device is ideally suited for use in many applications such as RF and microwave multi-throw switching, radar beam steering antennas, phase shifters, RF test instrumentation, ATE, cellular, and broadband wireless access.

## Typical Device Specifications

<b>Insertion Loss</b> DC 2 GHz 10 GHz 18 GHz	< 4 Ω < 0.30 dB < 0.45 dB < 0.60 dB	<b>Lifecycle</b> Cold-switched, 27 dBm Cold-switched, 30 dBm Cold-switched, 33 dBm Hot-switched, -20 dBm Hot-switched, -10 dBm Hot-switched, 20 dBm	> 10 <sup>11</sup> cycles > 10 <sup>9</sup> cycles > 10 <sup>3</sup> cycles > 10 <sup>11</sup> cycles > 10 <sup>9</sup> cycles > 10 <sup>3</sup> cycles
<b>Isolation</b> DC 2 GHz 10 GHz 18 GHz	> 1 GΩ > 35 dB > 21 dB > 18 dB	<b>Control</b> Gate-Source Voltage (on) Gate-Source Voltage (off) Control Power, steady-state Control Power, 1 KHz cycle rate	+/- 90 V 0 V < 1 nW < 2 μW
<b>Return Loss</b> 2 GHz 10 GHz 18 GHz	< -27 dB < -22 dB < -20 dB	<b>Switching speed</b> On Off	< 10 μs < 2 μs
<b>Input IP3</b> (Two-tone inputs 900 MHz and 901 MHz up to +5 dBm)	> 65 dBm	<b>Operating temperature</b> Maximum Minimum	85 °C -40 °C
		<b>Storage temperature</b> Maximum Minimum	150 °C -55 °C

### Notes:

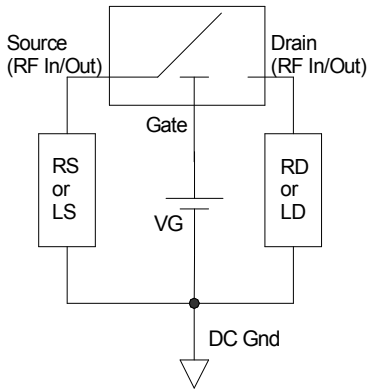
1. All RF measurements were made in a 50 Ω system.
2. Measurements include bond-wires from die to test-board.

- Phone: 978-562-3866
- Fax: 978-562-6277
- Email: [sales@radantmems.com](mailto:sales@radantmems.com)  
Visit [www.radantmems.com](http://www.radantmems.com)

**Absolute Maximum Ratings**

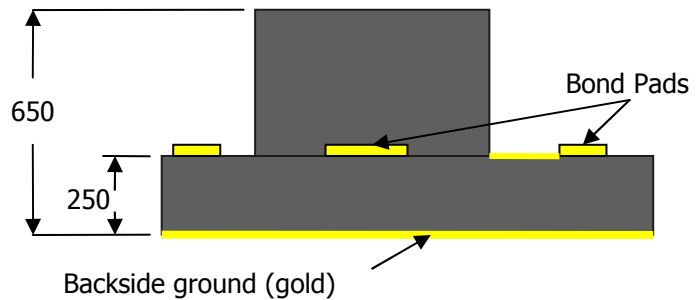
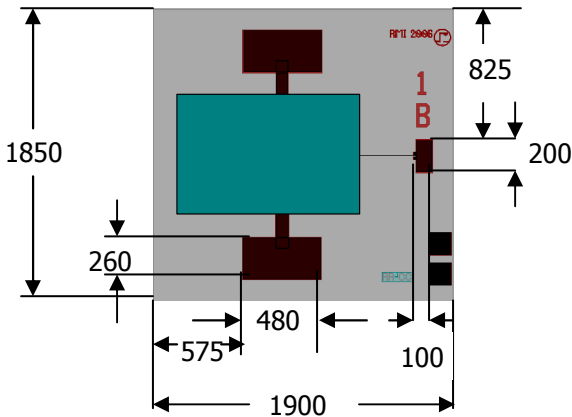
Maximum Temperature (10 seconds)	290 °C
(120 seconds)	250 °C
Maximum Voltage, Gate-Source	+/- 110 V
Maximum Voltage, Drain-Source	+/- 100 V

**Recommended Application**



1. Resistors RS and RD (40 KΩ-100 KΩ) or inductors LS and LD should be used to provide a path to DC Ground from Source and Drain.
2. VG may be of either polarity.
3. VG rise-time should be at least 10 μs for optimal lifetime.
4. Please refer to "Application Note for Test and Handling of SPST RF-MEMS Switches" for more information. Contact us for driver solutions.

**Nominal Device Dimensions**



Dimensions are in micrometers.  
Please contact us for a footprint in .gds or .dxf format.

**Static sensitivity**

This device has an ESD (HBM) sensitivity of 100 V. Use proper ESD precautions when handling. Please refer to "Application Note for Test and Handling of SPST RF-MEMS Switches" for more information.

**Die Assembly**

The gold backside-metallization on the die is designed to be mounted with electrically conductive silver epoxy, or with a lower temperature solder which does not consume gold. Bond pads on the die are made of gold. Ball-bonds should be utilized to attach gold or Aluminum 1 mil wires. Please refer to "Application Note for Test and Handling of SPST RF-MEMS Switches" for more information.