

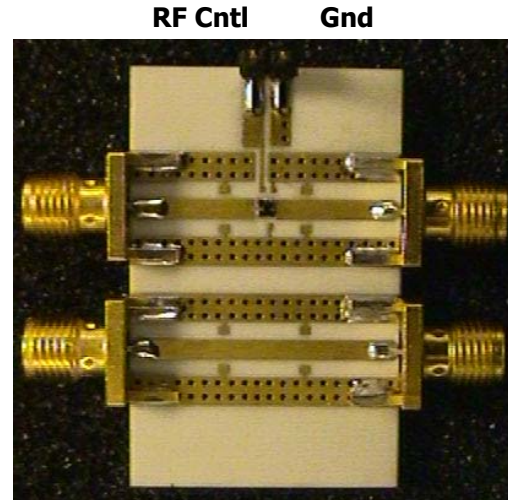
General Description

The evaluation test board has one RMSW100™ SPST RF switch : a SPST switch, with SMA RF connectors. The evaluation test board is operated from a DC supply voltage .

ESD Sensitive

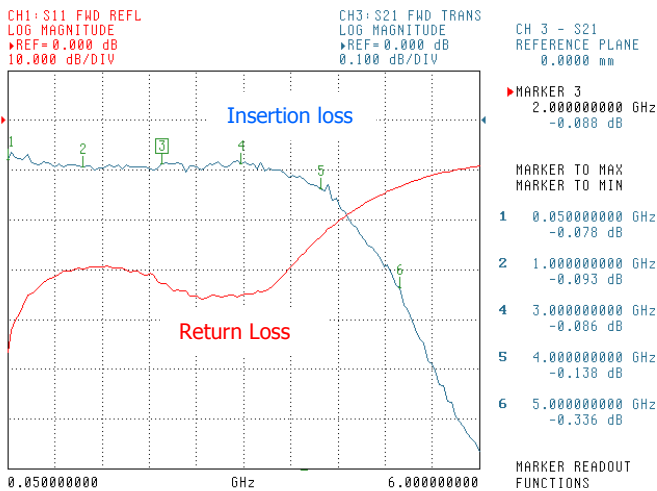
Port In/out

Calibration Port In/out

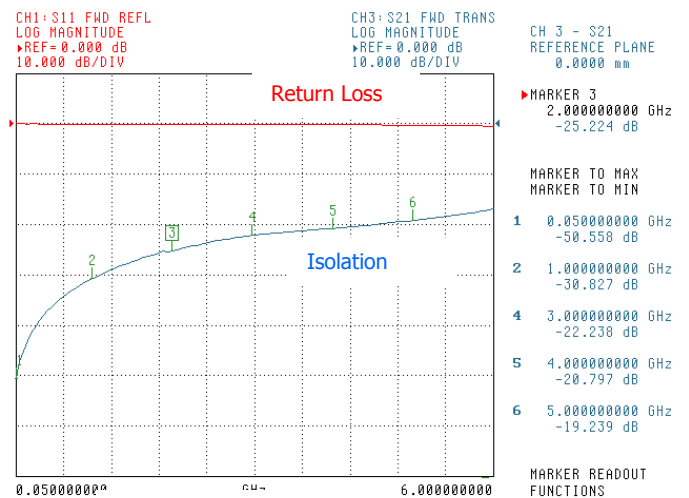


Port In/out

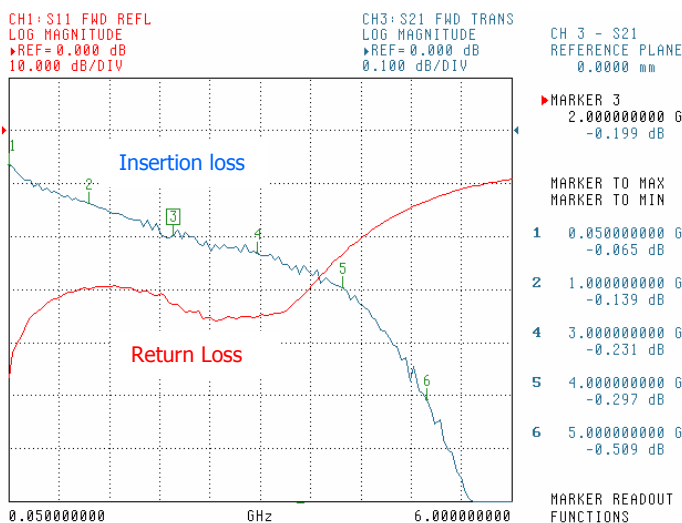
Calibration Port In/out



Switch Insertion Loss
(Test Board minus Calibration Line Loss)



Switch Isolation



Test Board Insertion Loss

*** External DC ground return is required at both RF ports**

RF Control Input	Signal Path State
- 100 V	ON
0 V	OFF

RADANT MEMS INC.

- Phone: 978-562-3866
- Fax: 978-562-6277
- Email: sales@radantmems.com
- Visit www.radantmems.com