

Galleon Rugged Server

Rugged - Ultra Small - High Performance

KEY FEATURES

- Ultra small: 150 x 170 x 100 mm
- Intel® Core™-i7 Gen2 Quad Core CPU with 16GB DDR3 SDRAM
- Intel® 82599ES Dual 10Gigabit Ethernet Controller
- Up to 1.6TB (SLC) Removable Solid State Storage
- Up to 16TB (SLC) Removable Solid State Storage Expansion
- Onboard GPS for high resolution time server
- XMC/PMC Sites for flexible I/O Expansion, sFPDP, 1553, HD video, etc
- Wide Input 9-36V DC Power (48V optional)
- Rugged Conduction Cooled and Fanless Air Cooled Design
- MIL-STD-810F

APPLICATIONS

- UAS
- Surveillance
- Mission Data Server

BENEFITS

- Optimized for Size, Weight and Power (SWaP)
- High Performance
- High Bandwidth
- High Storage Density
- Flexible and Scalable
- Rugged design



The World's Smallest Quad Core Rugged Server!

The XSR-SRV is a high performance server for deployed applications. Key features include:

- Ultra small: External dimensions only 150 x 170 x 100mm
- High performance Intel® Core™-i7 Gen2 Quad Core CPU
- Intel® 82599SE Dual 10 Gigabit Ethernet Controller
- 1.6TB (SLC) Solid State Storage in field exchangeable modules
- Rugged Conduction Cooled Design

The XSR Rugged Server is designed to meet the most severe environmental conditions without compromising on functionality and performance. Its high performance allows server virtualization in size constrained applications where this was previously unheard of. The SWaP optimized design makes it ideal for use in small Unmanned Aerial and Ground Systems.



galleon
embedded computing

Galleon Rugged Server

Rugged - Ultra Small - High Performance

XSR-SRV In a Nutshell

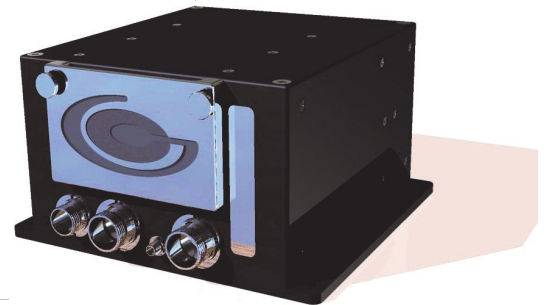
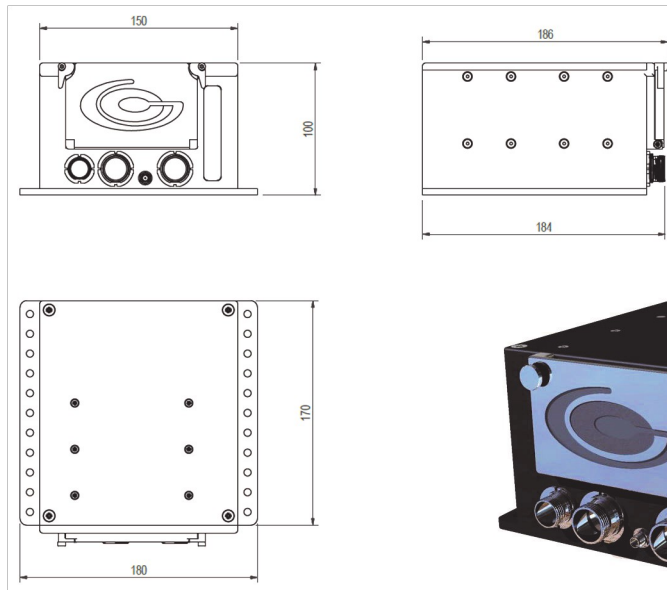
The XSR-SRV family of rugged high performance servers are targeted at applications where no compromise between size and performance is allowed.

Utilizing the new second generation Intel® Core™-i7 Quad Core processors running at 2.1GHz. With up to 16GB DDR3 SDRAM, allows server virtualization to be deployed in platforms where this has so far been unheard of.

In addition to the dedicated solid state system disk of up to 256GB SLC FLASH, 1.6TB removable SLC FLASH storage is supported. All deployed in a 150 x 170 x 100 mm conduction cooled unit.

The XSR-SRV is extremely flexible and expandable. In addition to the internal removable storage, the unit supports up to 16TB SLC or 40TB MLC FLASH Storage in removable expansion modules.

The server can be equipped with dual 10Gb Ethernet and 3x 1Gb Ethernet ports for dedicated high speed communication with multiple clients.



Technical Specification

Network

- Intel® 82599ES Dual 10Gigabit Ethernet Controller and
- 2x Intel® 82574 Gigabit Ethernet Controllers for high speed Ethernet Recording
- Dedicated Intel® 82574 Gigabit Ethernet Controller for Control Interface

Processor

- Intel® Core™-i7-2655LE Quad Core, 2.2GHz.
- Up to 16GB DDR3 SDRAM

Storage

- 1x SLC FLASH System Disk (up to 256GB)
- 4x 2.5" Solid State Disks in Removable Unit supporting 9.5mm disks
 - Up to 1.6TB removable SLC FLASH

Time Server

- High precision GPS Position and Timing Data
- 10MHz Reference Clock
- 1pps Sync Pulse
- RF Interface to External Antenna

Front Panel Interfaces

- 2x SFP+ Optical 10Gb Ethernet
- 3x 1000base-T Gigabit Ethernet
- 1x VGA
- 3x USB
- 2x RS232/422
- 1x Power
- 1x GPS Antenna

I/O Expansion

- One MiniPCI Express Expansion Site (supporting x1 PCI Express and USB 2.0)

Operating Temperature

- 0°C to +50°C Standard temperature (AC/CC)
- -40°C to +85°C Extended temperature (CC)
- -55°C to +85°C Storage temperature

Shock & Vibration

- MIL-STD-810 compliant

Altitude

- Altitude: -1500 to 40 000* ft

EMI/RFI

- MIL-STD-461F compliant

Humidity

- Up to 95%

Size, Weight & Power

- Size: 150 x 170 x 100mm (5.9 x 6.7 x 3.9") (CC base unit not including mounting plate and connectors):
- Weight: 3.5kg (Minimum configuration)
- Power (idle): 30W
- Power (max load): 50W

Power Supply

- 12/24/28V DC (9-36V DC Wide Input)
- 48V DC (36-75V DC Wide Input)

* Contact factory for high altitude options.



Intel®, Core™ and inside™ are registered trademarks of Intel Corporation in the US and/or other Countries.

Version 1.5/13.09.2011.
All data subject to change without notice.